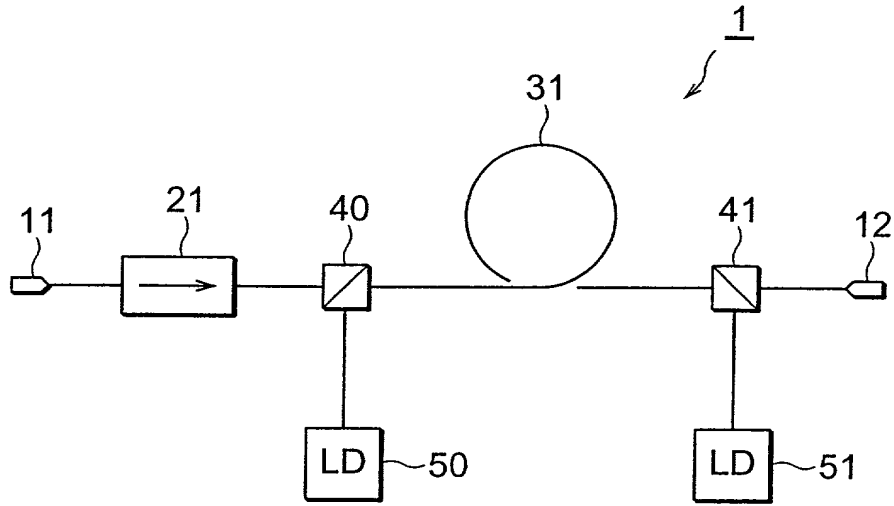


Fig.1



FP01-0139-00

Fig.2A

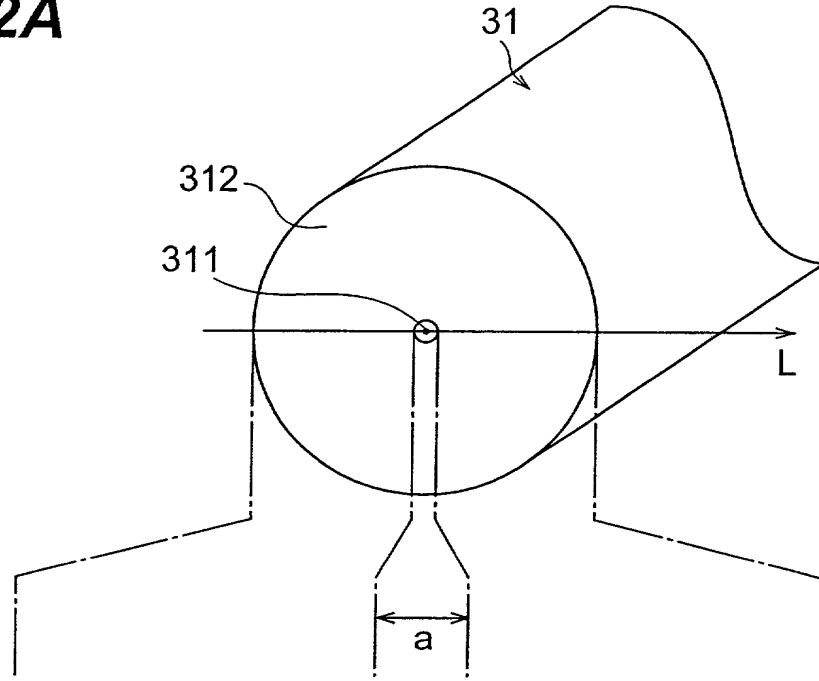
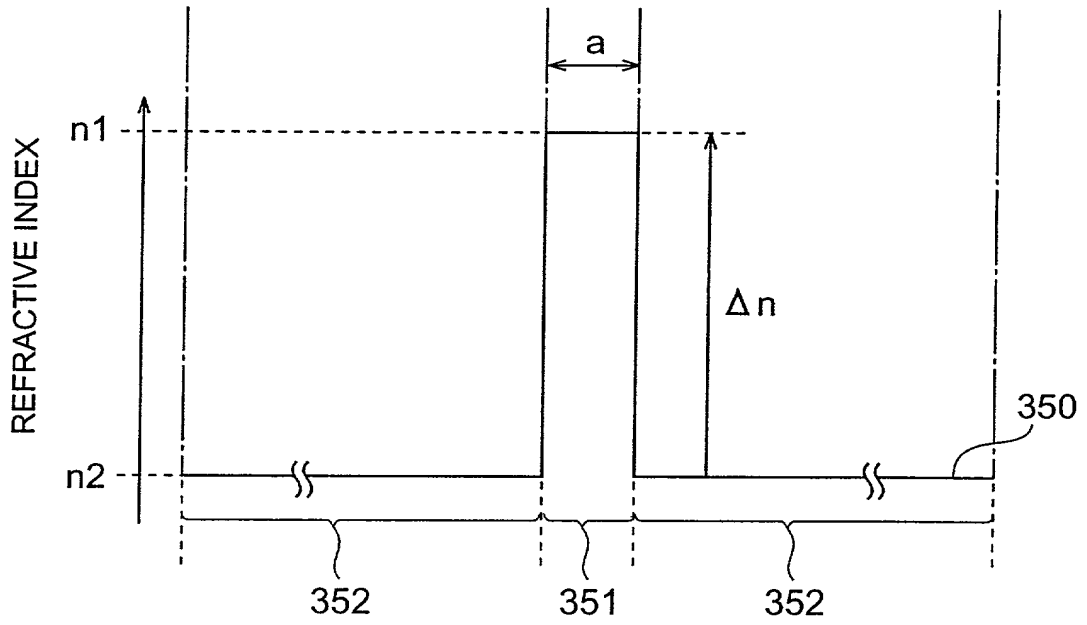


Fig.2B



FOOTPRINT

FOOT" E988650

Fig.3

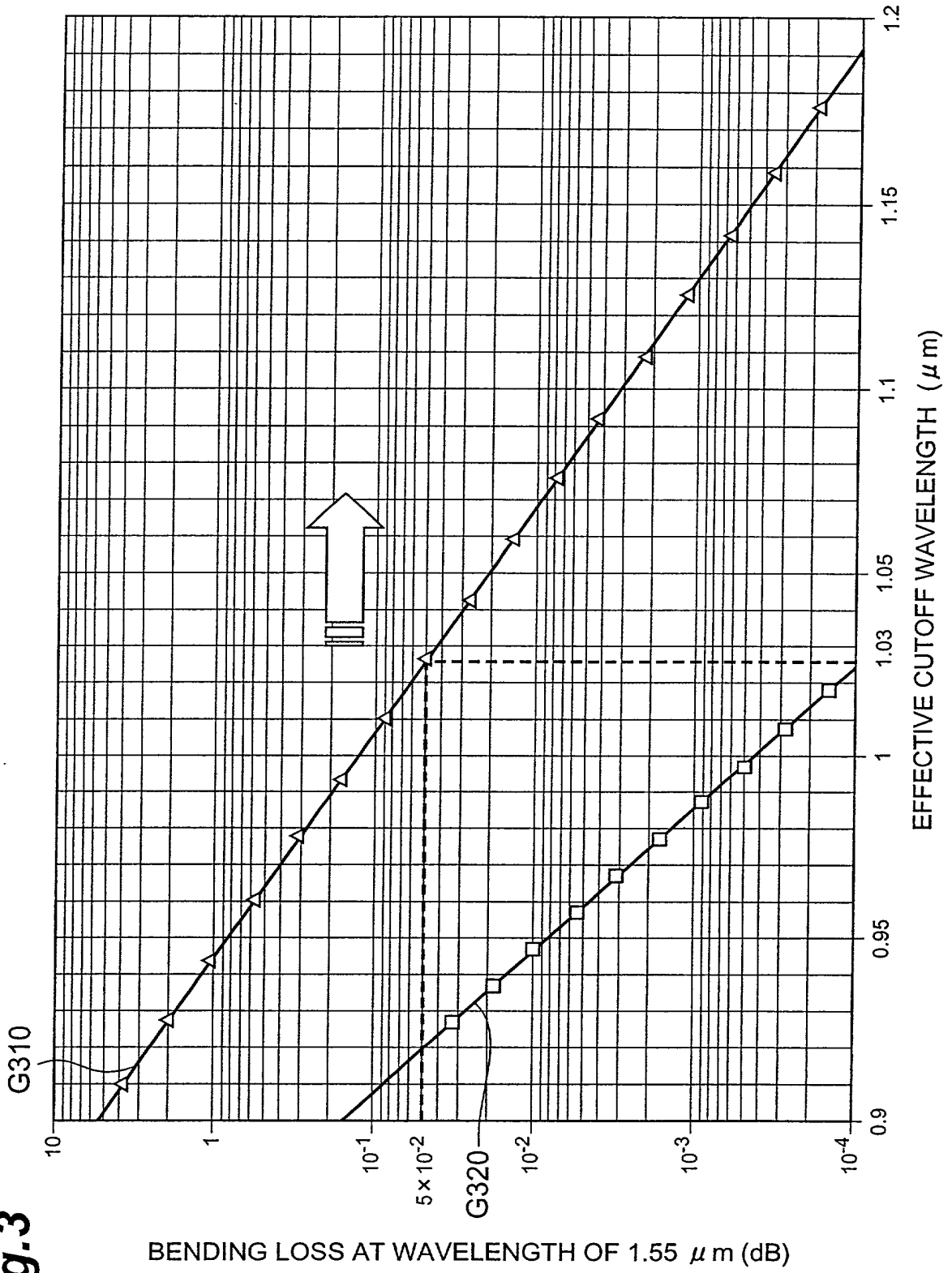


Fig.4

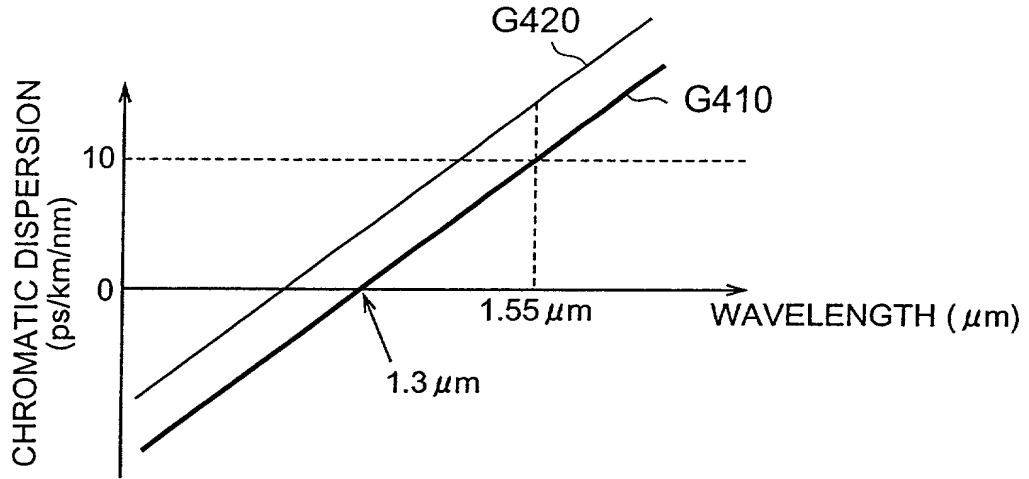
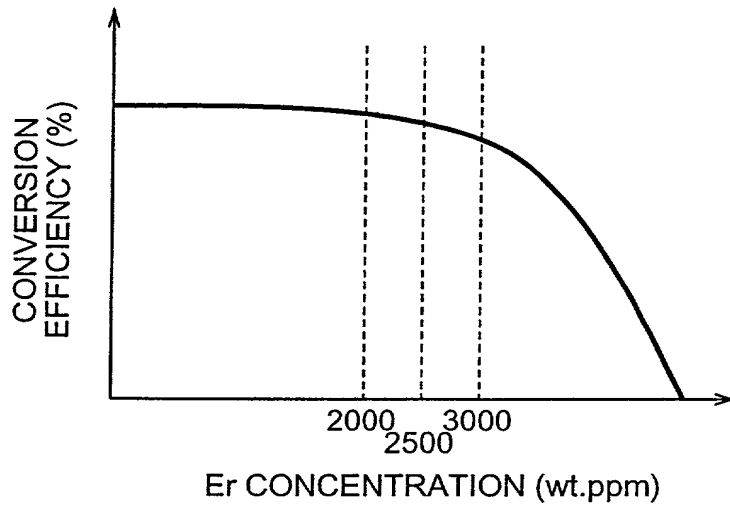
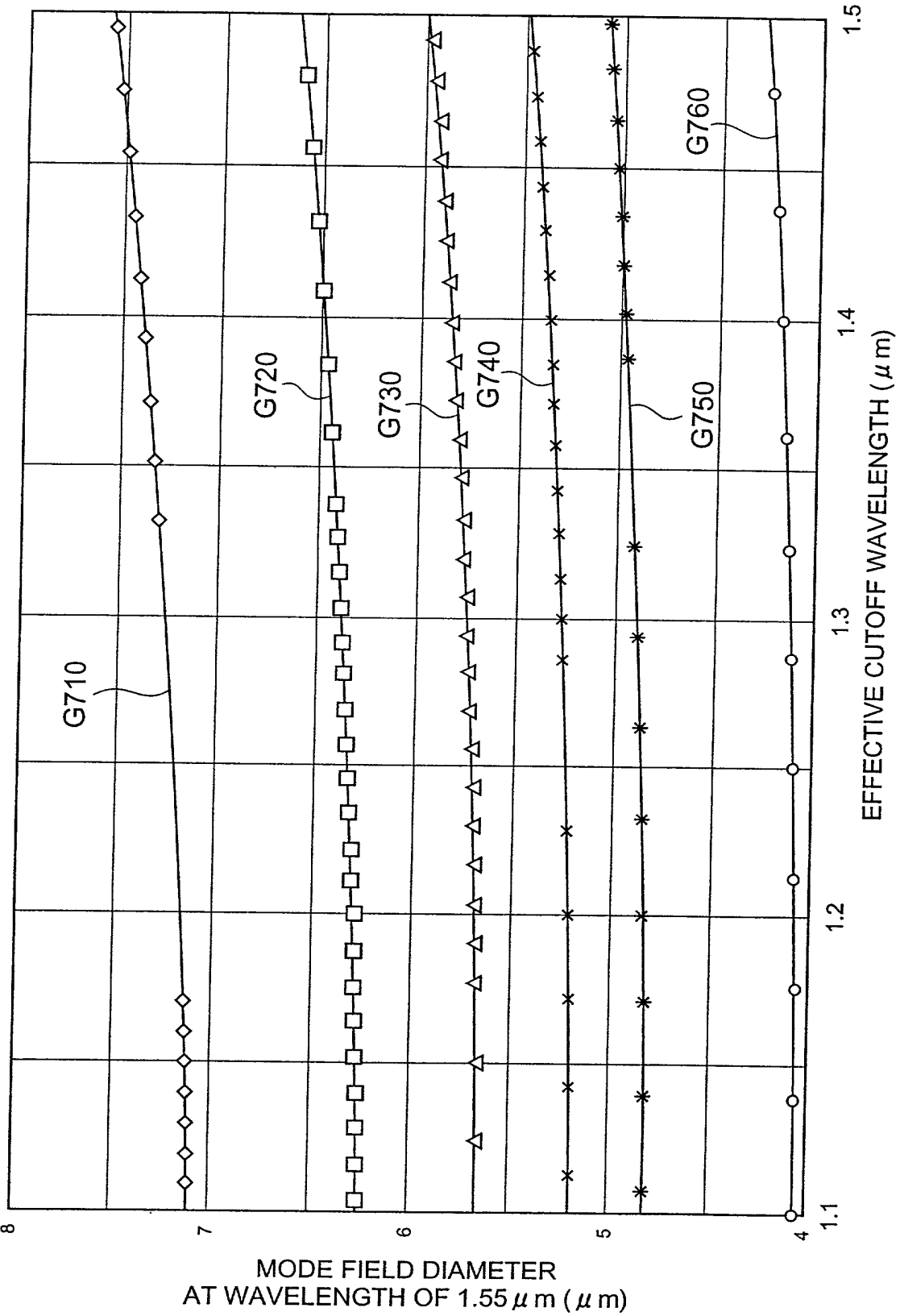


Fig.5



FOOTER 000000

Fig.7



FOOTER: EE33360

Fig.8

	RELATIVE REFRACTIVE INDEX DIFFERENCE Δn (%)	EFFECTIVE CUTOFF WAVELENGTH(μm)	ZERO-DISPERSION WAVELENGTH(μm)	MODE FIELD DIAMETER(μm) AT 1.55 μm	Er CONCENTRATION (wt.ppm)	Al CONCENTRATION (wt%)
EDF1	1.12	1.37	1.38	5.74	912	3.9
EDF2	1.34	1.28	1.57	5.46	1140	6.2
EDF3	0.71	0.83	1.65	7.81	790	3.5

FOOT-EE38860

Fig.9

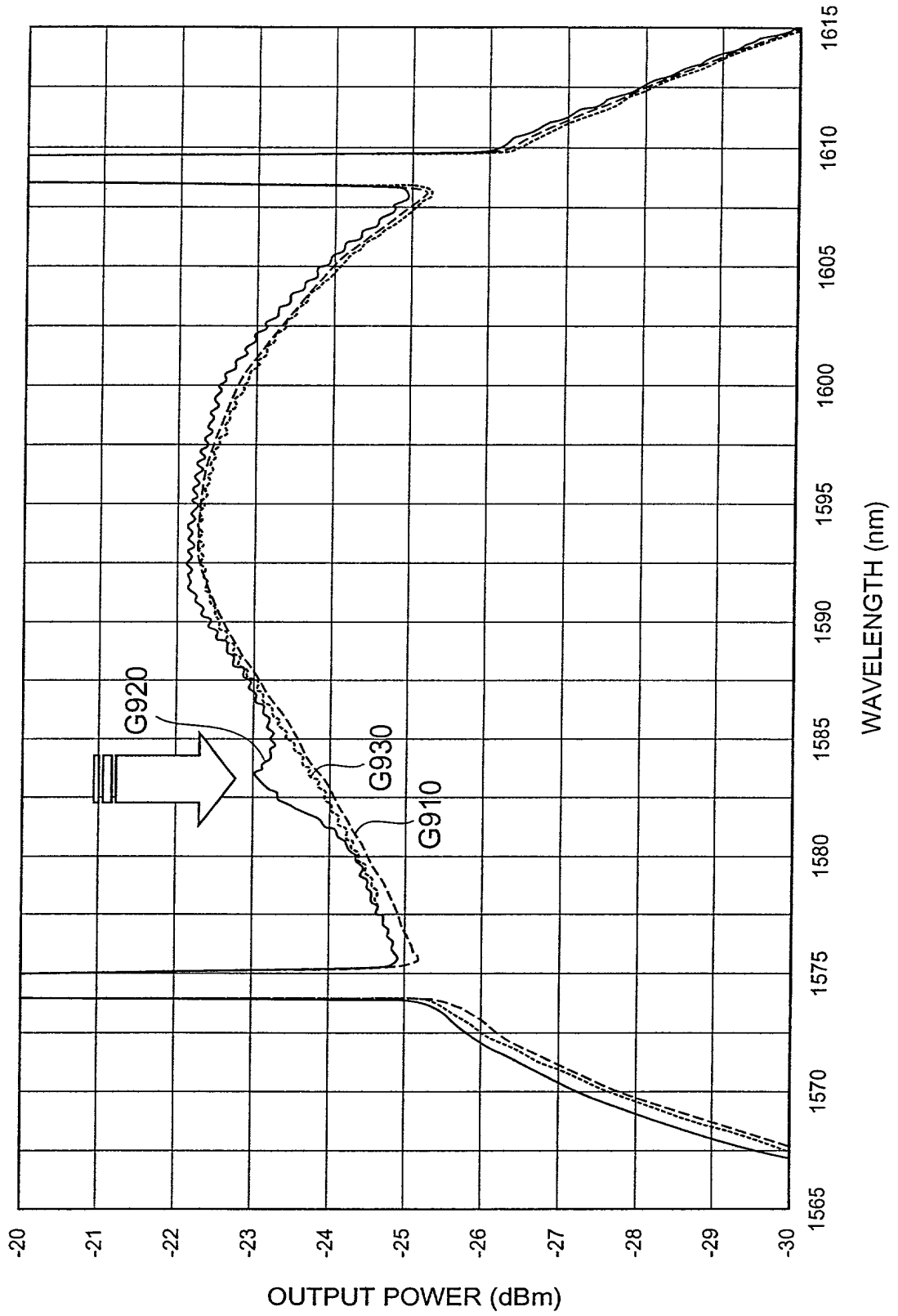


Fig.10

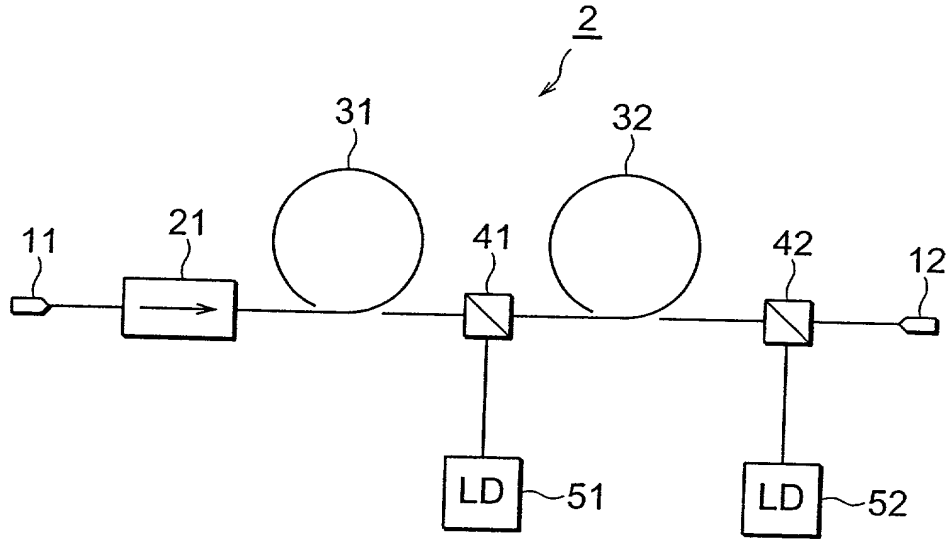
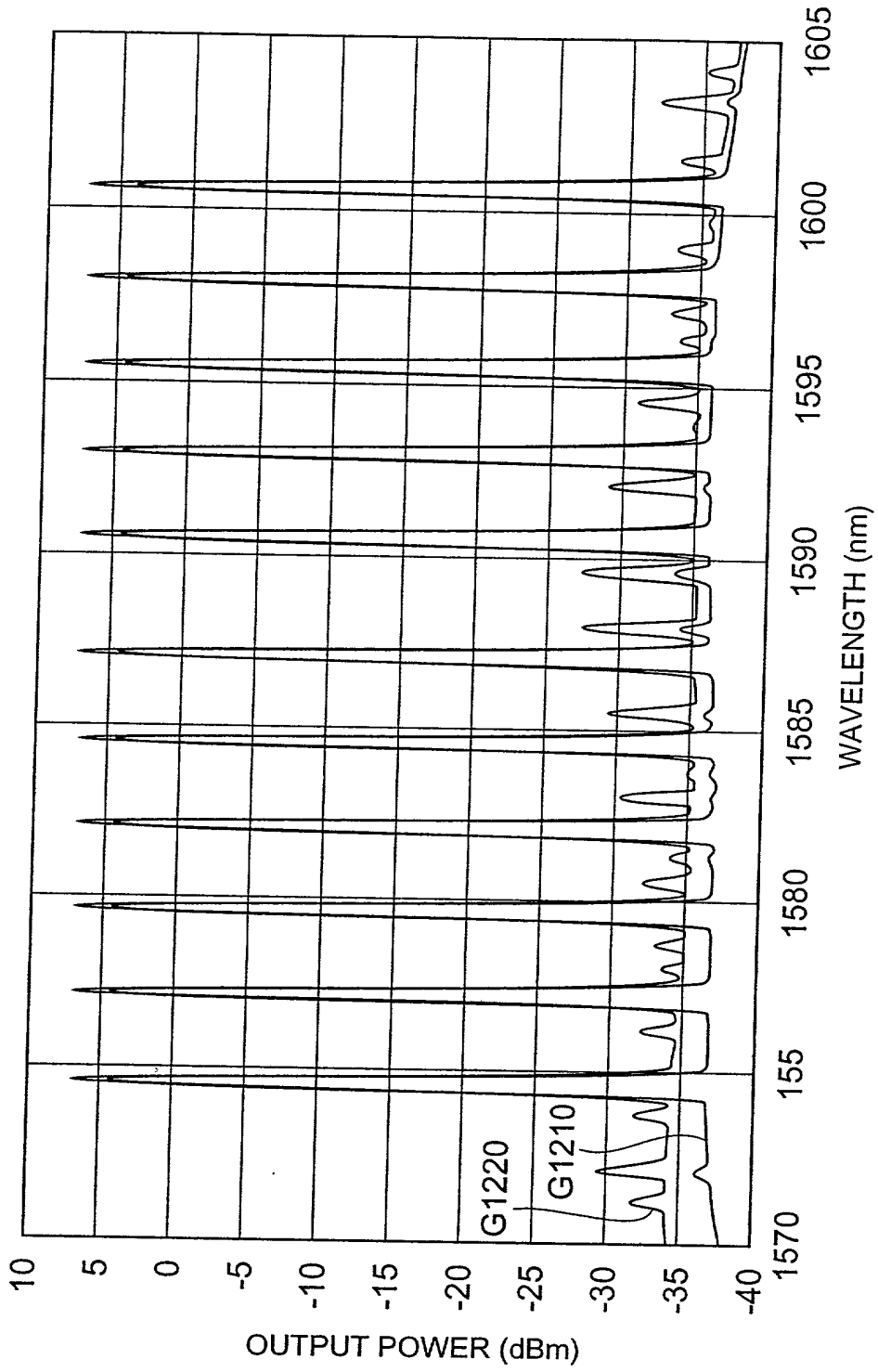


FIG. 10

FOOT" E3B66

Fig.12



FOOT 223860

Fig.13

